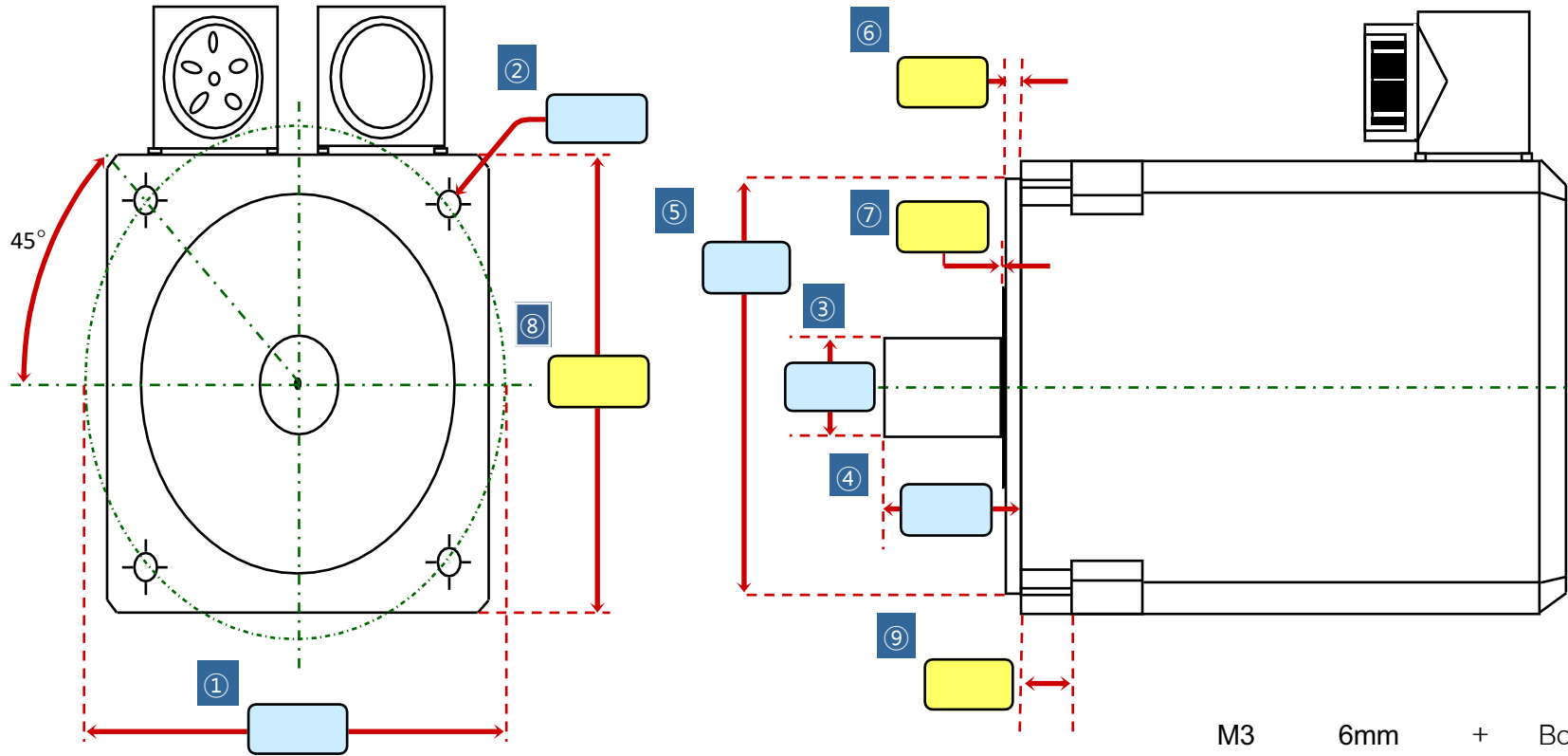


# MOTOR INFORMATION

Motor Brand	Output Power	Kw	Peak Torque	Nm	Max Speed	rpm
Motor Model	Rated Torque	Nm	Rated Speed	rpm	Inertia	kg · cm <sup>2</sup>



- \* 1 - PCD
- 2 - Bolt
- 3 - Shaft O.D
- 4 - Shaft Length
- 5 - Pilot O.D
- 6 - Pilot Height
- 7 - Pilot Height(special)
- 8 - Frame Size
- 9 - Bolt Length

M3	6mm	+	Bolt Length
M4	9mm	+	Bolt Length
M5	10mm	+	Bolt Length
M6	12mm	+	Bolt Length
M8	15mm	+	Bolt Length
M10	18mm	+	Bolt Length
M12	21mm	+	Bolt Length
M14	24mm	+	Bolt Length
M16	28mm	+	Bolt Length